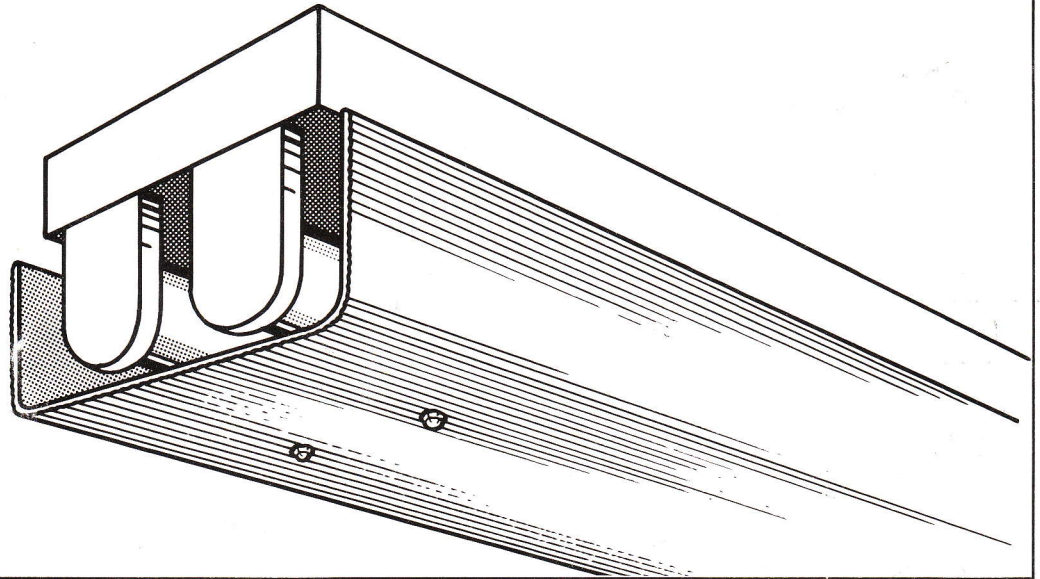


INTRODUCES • THE REVOLUTIONARY

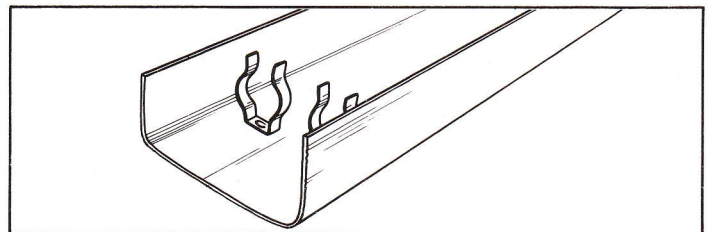
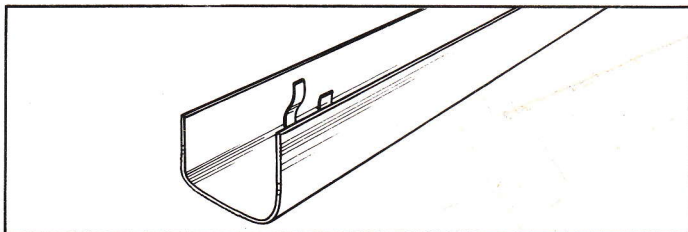
STRIP-MATE

A UNIVERSAL STRIP LIGHT DIFFUSER



SIMPLE CLIP-ON LAMP DESIGN

**HOLDS SECURELY ONTO LAMP
WILL NOT FALL**



FEATURES:

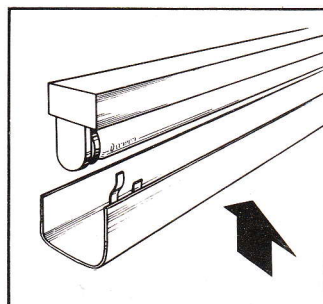
- SIMPLE "CLIP-ON" SYSTEM
- UNIVERSAL DESIGN, FITS ALL STRIP FIXTURES
- AVAILABLE IN 2', 3', 4', 6' AND 8' LENGTHS
- NON-YELLOWING ACRYLIC, OPAL, RIBBED DESIGN

BENEFITS:

- ELIMINATES HARSH GLARE AND BARE LAMP BRIGHTNESS
- IMPROVES FIXTURE APPEARANCE
- ECONOMICAL

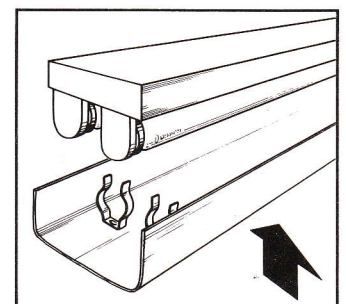
SERIES 1000

FOR
1 LIGHT
STRIP FIXTURES

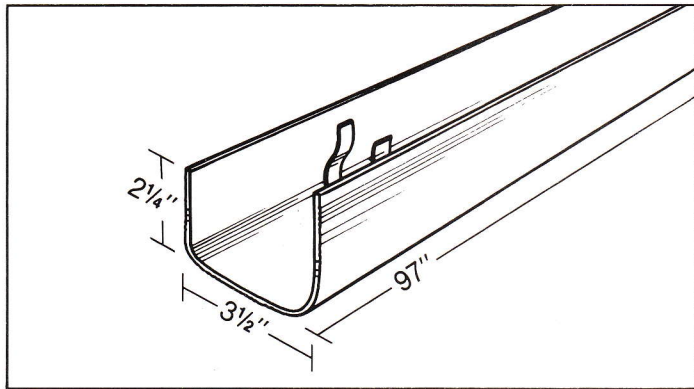


SERIES 2000

FOR
2 LIGHT
STRIP FIXTURES

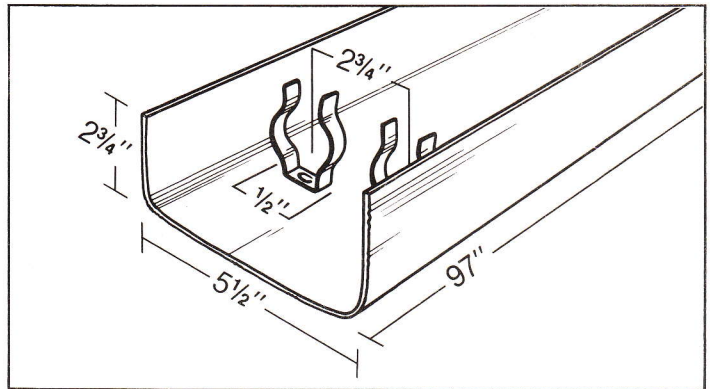


SPECIFICATIONS FOR ***STRIP-MATE***



SPECIFIC DATA — 1000 SERIES

WIDTH O.A. — 3 1/2"
 HEIGHT O.A. — 2 1/4"
 LENGTH O.A. — 97" STOCK
 HOLES DRILLED — ON CENTER
 CLIP ADJUSTMENT (EA.) — NONE



SPECIFIC DATA — 2000 SERIES

WIDTH O.A. — 5 1/2"
 HEIGHT O.A. — 2 3/4"
 LENGTH O.A. — 97" STOCK
 HOLES DRILLED — 2 3/4" ON CENTER
 CLIP ADJUSTMENT (EA.) — 1/2"

GENERAL DATA

- STRIP-MATE IS EXTRUDED FROM OPAL 100% VIRGIN ACRYLIC MATERIAL MEETING ASTM SPECIFICATION FOR METHACRYLATE MOLDING COMPOUNDS. FOR USE AS A LIGHT TRANSMITTING MATERIAL, SUCH AS; USED IN TRANSLUCENT CEILING, AND AS LENS, GRILLES AND DIFFUSERS FOR ELECTRICAL FIXTURES.
- CLIPS OF HEAT TREATED SPRING STEEL — COATED WITH ANTI-RUST PLATING.

STRIP-MATE END CAPS

FOR IMPROVED APPEARANCE

- EASILY SNAPS ONTO STRIP-MATE.
- PROVIDES FINISHED LOOK ON END ROW FIXTURES.

SAFETY WIRE

FOR ADDED SAFETY

- SECURES STRIP-MATE TO FIXTURE.
- EASILY CLIPS ONTO FIXTURE BALLAST COVER.
- PROTECTS AGAINST FALLING LAMPS.
- HOLDS STRIP-MATE DURING RELAMPING.

